

# WATERFALL AUDIO

SOUND DESIGNERS



## DATA SHEET HFM-200

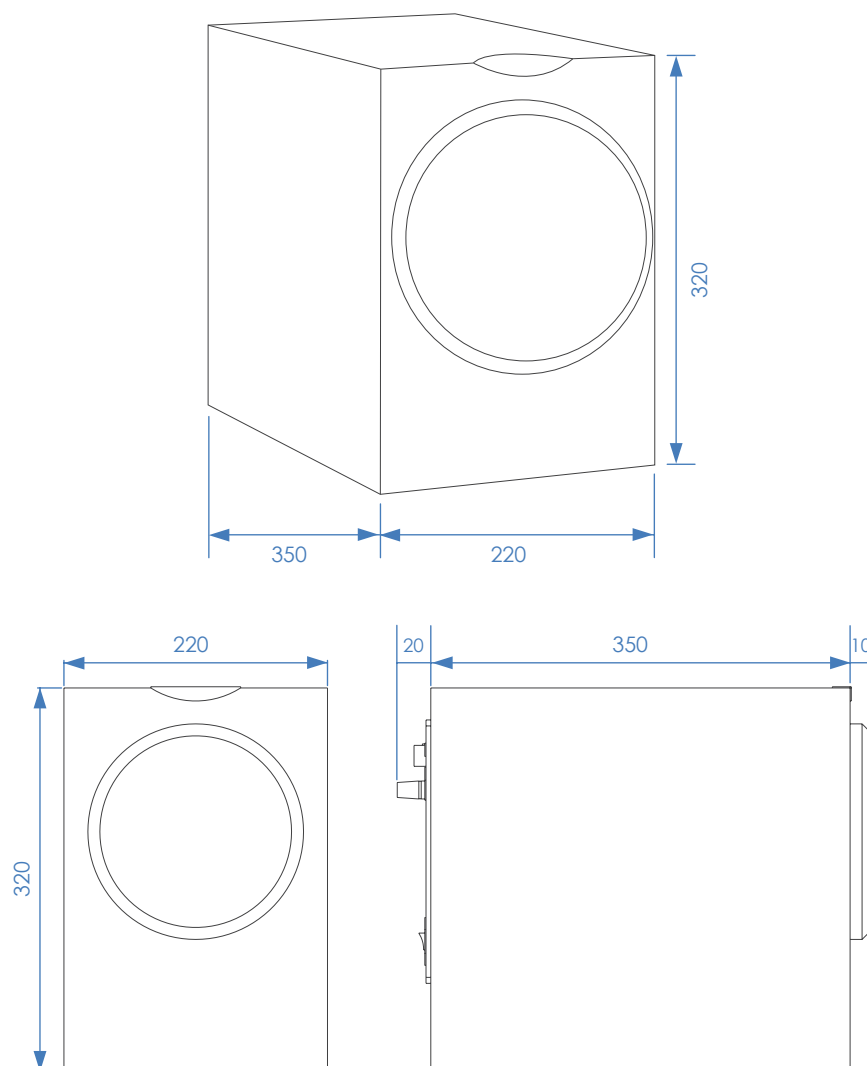
Made in France

### KEY POINTS

- Featuring "X-guard Technology": control of the driver's cone excursion
- Amazing performance /size/price ratio
- Low distortion: musical bass performances and high acoustical level
- Installation and connections flexibility for Hifi or Home cinema (amplifier /integrated pre-amplifier with or without pre-out exit)
- Wide tuning possibilities: phase inverter, variable frequency cut off, variable slopes : 24 or 12 dB/oct or LFE mode (for Home cinema use)
- Bass reflex located at the back
- Dual voltage choice: 110 V / 220 V
- Available in black or white

### AUDIO APPLICATIONS

- Hifi as bass support of satellites Serio, Hurricane Evo & Elora LR Evo ( 2.1 configuration )
- Home Cinema Subwoofer for Hurricane Evo and Serio ( Pack 1 & 2)
- Suitable for rooms 15 to 30 m<sup>2</sup> / 160 to 320 ft<sup>2</sup>




## TECHNICAL DETAILS

TYPE	ACTIVE / BASS REFLEX
INTEGRATED AMPLIFIER	200 W/ X-GUARD TECHNOLOGY
PEAK POWER	250 W
FREQUENCY RESPONSE (+/- 3 dB)	40 Hz - 150 Hz
PHASE CONTROL	Switch 0° / 180°
CROSSOVER FREQUENCIES	VARIABLE 40 Hz TO 150 Hz OR LFE MODE
BASS DRIVER	1 x 180 MM / 7" ATOHM D180
DIMENSIONS (width x depth x height in mm) (approx. inches)	220 x 350 x 320 / 8.66" x 13.78" x 12.60"
WEIGHT Kg / approx. lbs	12 kg / 26.4 lbs

## WATERFALL AUDIO

ZA les praderies - 83 570 Carcès - France  
 Phone: **+33 (0)4 98 05 11 30**  
[export@waterfallaudio.com](mailto:export@waterfallaudio.com)

Made in France. 5 years warranty on speakers, 2 years warranty on amplifiers (parts & service).  
 We operate a policy of continuous improvement and reserve the right to amend designs and specifications without prior notice.

 All drivers are developed and manufactured by Atohm (France).